

# TECHNICAL SHEET

## Softline® System

Terraces on wood & composite structure



### DESCRIPTION

Softline® is a complete wooden decking system with hidden fixation. The system includes two inseparable elements due to their design: the decking board and the fixation clips.

The decking system is supported by wooden joists.

📄 **Ownership patent :** EP1567731

📍 **Place of manufacture :** Belgium

🔒 **Owner and manufacturer :** Vetedy Luxembourg S.A.

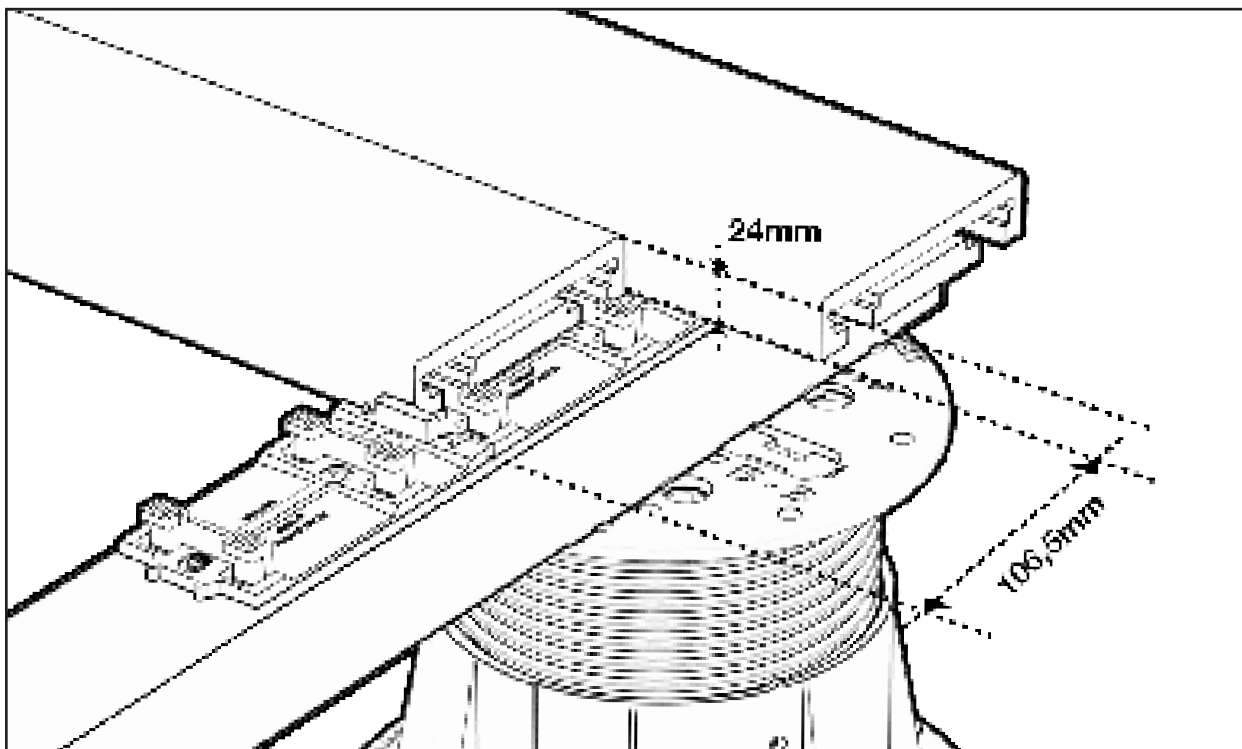
✍️ **Designing :** Luxembourg

## GENERAL INFORMATIONS



### • Dimensions :

- clips & boards (in floor) = +/- 106.5mm\* (102.5mm\* for the teak)
- system thickness of boards and clips : 24mm\*



- **Conditions of use :**

**Application temperature :** +5 to 45°C

**Operating temperature :** -30 to +60°C

**Maximum loads private places\* :** 250kg/m<sup>2</sup>

**Maximum loads public places\* :** 250kg/m<sup>2</sup>

\*with spacing between joists and support points according to installation instructions (400mm), exotic joist 40x60 with a minimum density of 700kg/m<sup>3</sup>

- **Places of use :**

**Laying place :** indoor or outdoor

**Sectors :** private or public places

**Substructure :** wooden joists of durability class 1, use 4. (or aluminium, or other contact us)

**System application areas :** decking, belt boards, stairs, etc...

**Geographical area :** no restrictions

**Authorized marine environments :** yes, under conditions (contact us)

- **Consumptions :**

**Decking boards :** +/- 9.39ML per m<sup>2</sup> of floor excluding losses related to site conditions (reminder: 400mm axis to axis).

**Fixations clips :** +/- 25 pcs/m<sup>2</sup> for general floor. +/- 2.5pces/m1 in belt and fascia board. Excluding losses related to site conditions.

More informations on the sheet of **installation instructions Softline®**.

- **Packaging and maintenance :**

**Packaging :** see file **packaging-logistic Softline®**.

**Maintenance :** annual cleaning recommended with outdoor wood cleaner Softclean® (let the wood to turn gray in order to limit maintenance); application of a suitable oil possible (follow the instructions of the chosen manufacturer). Any treatment other than cleaning: out of warranty. Do not use a high-pressure cleaner.

More informations on **the maintenance sheet Softline®**.

## — DECKING BOARDS

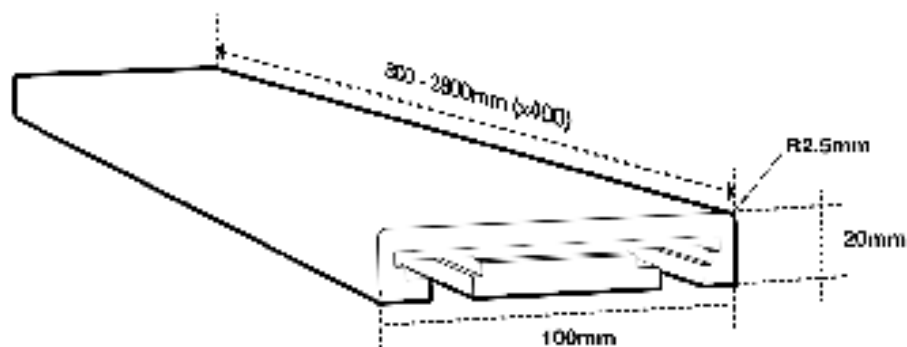
**Description :** solid wood plank profiled from below for hidden fixation using clips **Softline®**.

- **Species available for the system *Softline*<sup>®</sup> :**



See the **species sheets** for more informations on the technological characteristics of our selected woods.

- **Format**



**Thickness :** 20mm\* (24mm\* with clips included)

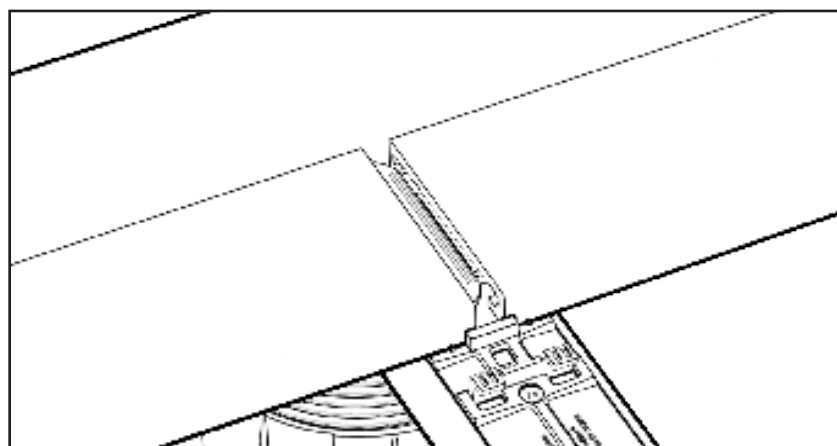
**Width :** 100mm\* (96mm\* for the teak)

**Length\* :** 800 - 1200 - 1600 - 2000 - 2400 - 2800mm. Sold in a mix of lengths.

**Profil :** S4S, E2E, R2.5mm, groove *Softline*<sup>®</sup>.

**Visible face :** smooth, 1<sup>er</sup> choice

**Boards junctions :** grooves and composite tongues *Softline*<sup>®</sup> composite factory fitted.



\*The dimensions presented in this document are theoretical nominal dimensions, actual dimensions may vary due to manufacturing tolerances.

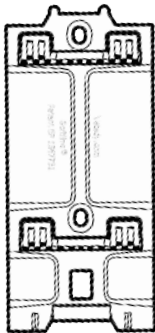
**Packaging** : see **logistics packaging sheet**

**Storage** : As the wood is intended for outdoor use, it should be stored as close as possible to outdoor climatic conditions, protected from bad weather and direct sunlight (UV) in its original packaging.

**Recycling** : 100% recyclable natural material

**Restriction** : The *Softline*<sup>®</sup> boards can only be used with *Softline*<sup>®</sup> fixations clips (and/or *Technideck*<sup>®</sup> ; see product data sheet *Technideck*<sup>®</sup>) made by Vetedy Luxembourg S.A.

## — FIXATIONS CLIPS



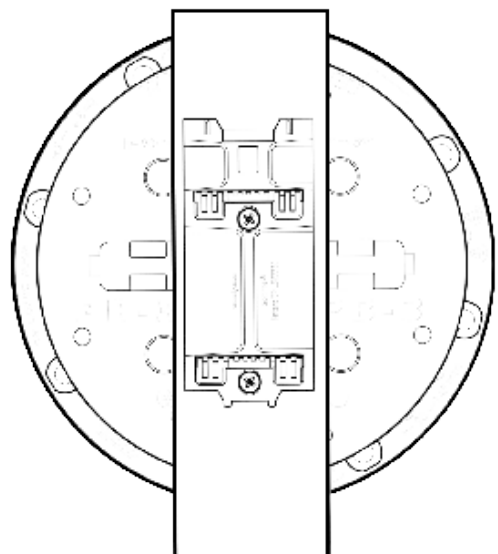
**Description** : Fixation clip allowing the attachment of *Softline*<sup>®</sup> boards without visible screws.

**Name** : *Softline*<sup>®</sup> Clips 109 (*Softline*<sup>®</sup> Clips 105 for the teak)

**Materials** : PA 66 - technical composite

**Color** : Black

**Fixation** : two A2 4x25mm stainless steel screws on exotic joist or (see substructure point of use on page 2.) aluminum with suitable A2 stainless steel screw.  
Others, contact us.



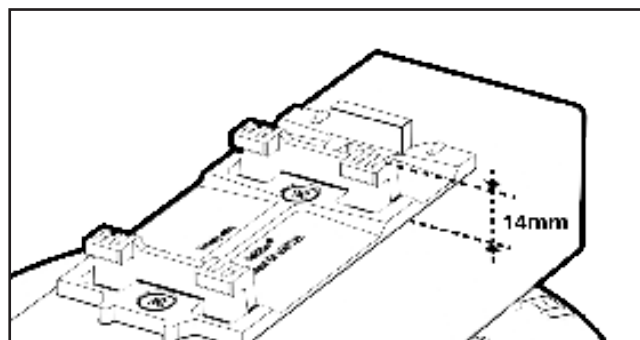
- **Dimensions :**

**Length :** 109mm (105mm for the teak)

**Width :** 50mm

**Height without board :** 14mm

**Height board include :** 24mm



- **Mechanical characteristics :**

**Rigidity :** high at the fixing lugs, flexible as a whole.

**Durability :** high

**Abrasion resistance :** high

**Thermal resistance :** high

**UV resistance:** high

Replacement of a board : yes, **see maintenance sheet** or **Softline® installation instructions**

**Security :** does not present any particular danger under normal conditions of use.

Risk of splinters when cutting the clips which may cause residue packaging to be projected at high speed.

**Conditioning :** 250 pieces per box (theoretical 10m<sup>2</sup>). Please consult the **Softline® logistics packaging sheet** for more informations.

**Storage :** dry and clean place

*N.B. : All the data mentioned in this technical sheet are theoretical and non-contractual.*