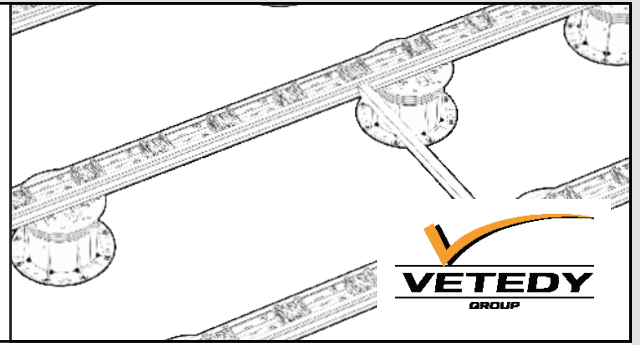


20/01/23

TECHNICAL SHEET

Technideck® System

Decking on aluminum & composite structure




DESCRIPTION

Technideck® is an intuitive wooden decking system with no visible screws on an aluminum joist.

 **Ownership patent:** LU102127

 **Place of manufacture:** Belgium

 **Owner and manufacturer:** Vetedy Luxembourg S.A.

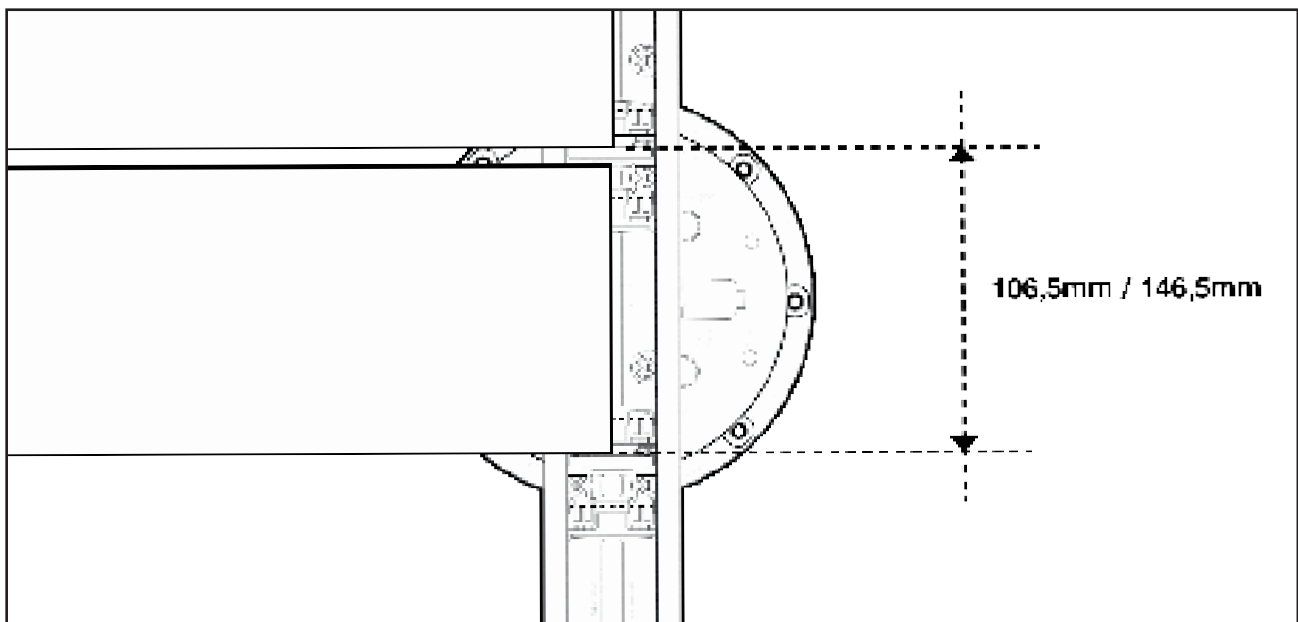
 **Designing:** Luxembourg

GENERAL INFORMATION

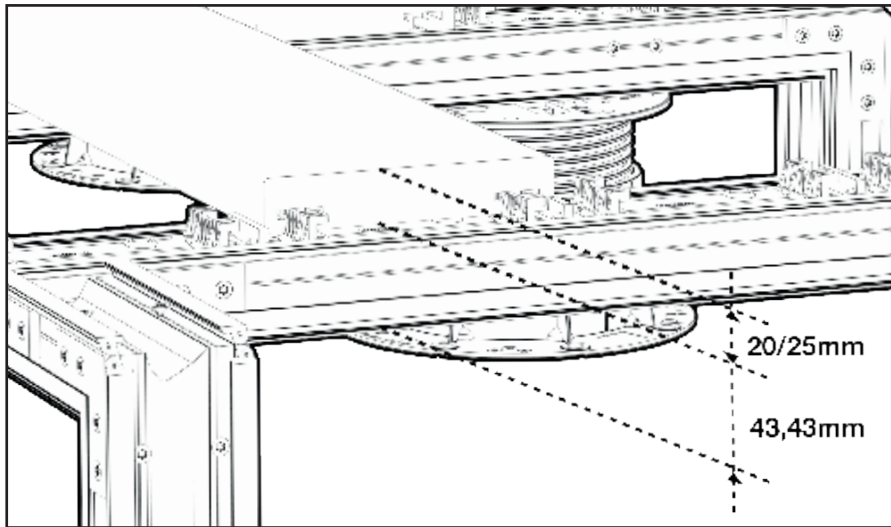


• Dimensions in 100mm & 140mm:

Clips & boards (in floor) = +/- 106.5mm* & 146.5mm* (dimensions with wood at 12% humidity. Delivery theoretical dimensions. Natural wood is subject to dimensional variations)



- **boards system and structure thickness:** (board) 20/25mm + (clips joist) 43,43mm*



- **Conditions of use:**

Application temperature: +5 to 45°C (41° to 113°F)

Operating temperature: -30 to +60°C (-22° to 140°F)

Maximum load private places*: 250kg/m²

Maximum load public places*: 250kg/m²

*with axis to axis and support points according to **installation instructions**

- **Places of use:**

Laying place: indoor or outdoor

Sectors: private or public places

Substructure: on Technideck aluminum joists exclusively.

System application areas: decking, belt boards, stairs, etc..

Geographical area: no restrictions

Authorized marine environments: yes, under conditions (contact us)

- **Packaging and maintenance:**

Packaging: see **packaging-logistics sheet Technideck®**.

Maintenance: see **maintenance sheet maintenance**.

Do not use a high pressure cleaner

— DECKING BOARDS

Description: solid wood plank profiled from below for hidden fixations using clips *Technideck*[®] clips.

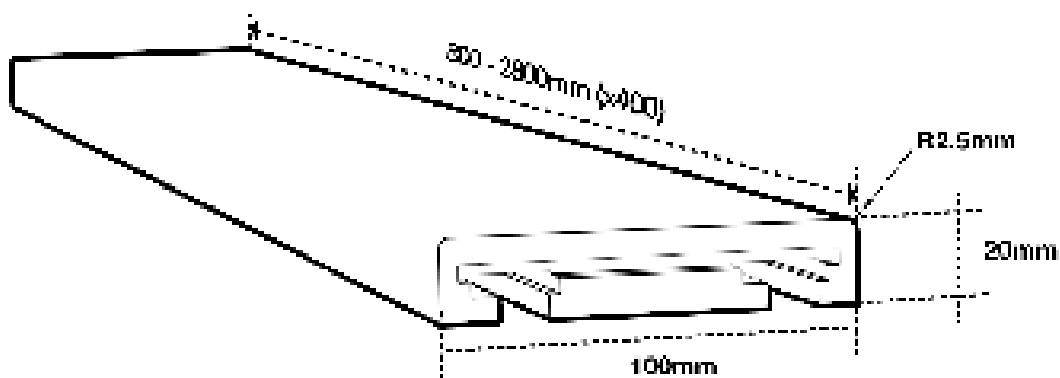
- **Species available for the *Technideck*[®] system:**



See the **species sheets** for more information on the technological characteristics of our selected woods.

- **Format**

A) 100mm



Thickness: 20mm*

Width: 100mm*

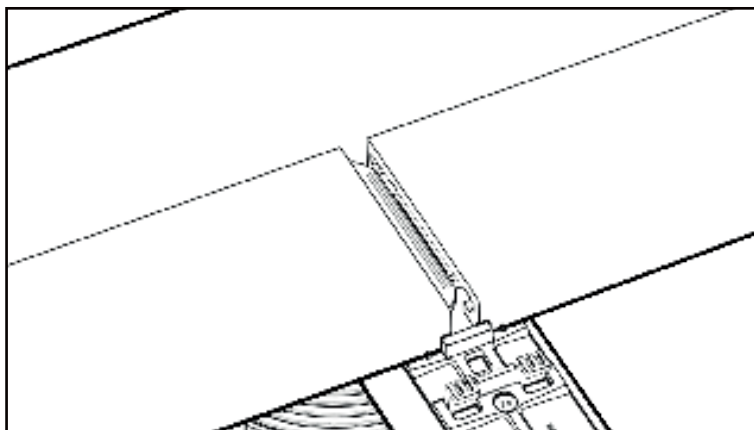
Lengths*: 800 - 1200 - 1600 - 2000 - 2400mm. Sold in mix of lengths

Profile: S4S, E2E, R2.5mm, groove *Technideck*[®].

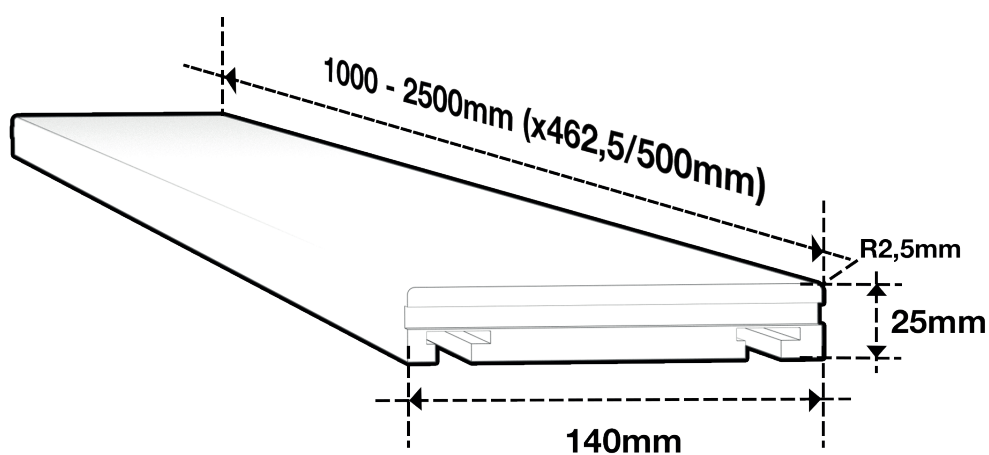
Visible face: smooth, 1st choice

*The dimensions presented in this document are theoretical nominal dimensions, actual dimensions may vary due to manufacturing tolerances.

Boards junction: Factory fitted composite tongue and groove.



B) 140mm



Thickness: 25mm* (20mm* en Bambou C-Tech)

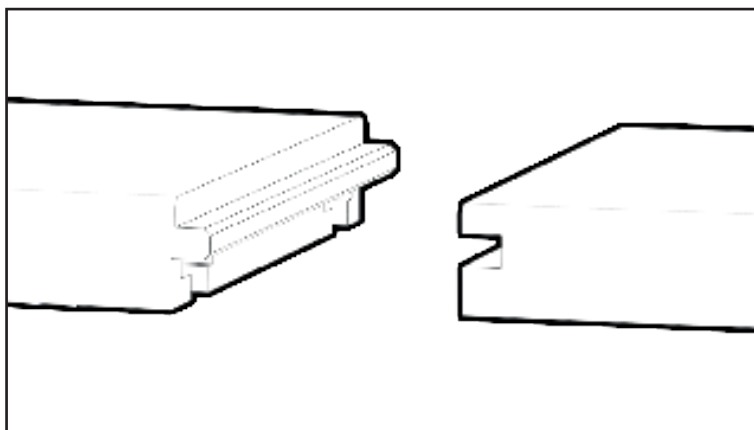
Width: 140mm*

Length*: 1000 - 1500 - 2000 - 2500mm. Sold in mix of lengths
(bamboo = 1850mm fix)

Profil: S4S, E2E, R2.5mm, groove *Technideck*®.

Visible face: smooth, 1^{er} choice

Boards junction: tongues and grooves machined into the board



*The dimensions presented in this document are theoretical nominal dimensions, actual dimensions may vary due to manufacturing tolerances.

- **Consumption**

Please note that consumption depends on the type of wood species / materials used.

Consumption in 100mm axis to axis 400mm: +/- 9.39 ML per m² of surface excluding losses linked to site conditions (reminder: all axes at 400mm).

Consumption in 140mm axis to axis 500mm: +/- 7.11 ML per m² of surface excluding losses linked to site conditions (reminder: all axes at 500mm).

Consumption in 140mm axis to axis 462.5mm: +/- 7.11ML per m² of surface excluding losses related to site conditions (reminder: all axes at 462.5mm).

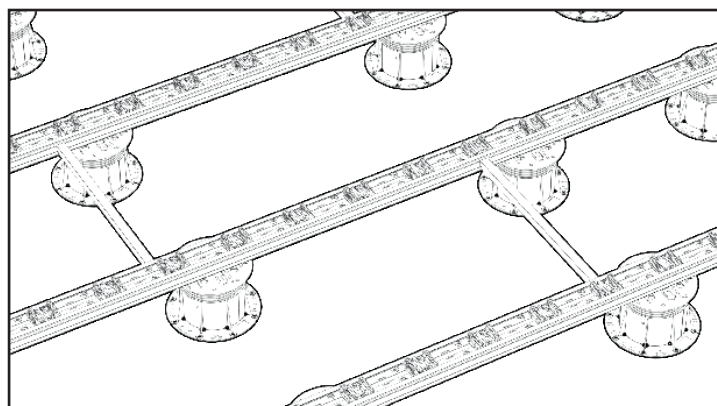
Packaging: see *logistics packaging sheet*

Storage: dry and clean places, ventilated and protected from light. Inappropriate storage can lead to a dimensional variation of the boards as well as movement or a change in color. After opening a package and returning to stock, the boards must be strapped.

Recycling: In a suitable sorting center for the destruction or recycling of the boards; 100% recyclable because no treatment. (special conditions for bamboo)

Restriction: Technideck® cannot be used with species other than the those offered by VETEDY Luxembourg S.A.

➤ JOISTS AND FIXATION CLIPS



- **Description:**

Name: *Technideck*[®] Joist:

Material: PA 66

Label: REACH

Place of manufacture: Belgium



components of the *Technideck*[®] joist:

1. Aluminum profile
2. Two EPDM joints at the longitudinal ends
3. Fixation clips 100mm or 140mm

Storage: Dry and clean place

Conditioning: See *logistic data sheet*

Packaging: None

Security: Does not present any particular danger under normal conditions of use.

Use of protective glasses and gloves required. Risk of splintering (projection of aluminum shavings) when cutting the joist which may cause residue to be projected at high speed.

Recycling: 100% recyclable

- Aluminium profile:
- clips:
- EPDM joints:

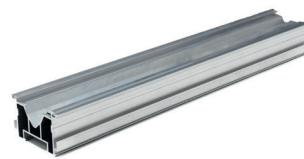
1. Aluminium profile

Material: Aluminium EN AW 6060

Color: raw aluminum

Fixation: By clipping specifically provided on Buzon[®] pedestals or by screwing on other pedestals.

Consumption: between 2.1 and 3ML per m² depending on the board section and excluding losses related to site conditions.



Theoretical dimensions:

- Length: 2400mm
- Width: 64,40mm
- Height: 43,43mm

Physical characteristics:

- **Rigidity:** High
- **Durability:** High
- **Abrasion resistance:** High
- **Thermal resistance:** High
- **UV resistance:** High

2. Clips *Technideck*[®]

Materials: Thermopolyamide - technical composite

Color: black



Fixation: by insertion into the groove of the aluminium profile and by 2 or 4 self-drilling stainless steel screws A2 minimum in section of 4x22mm (depending on decking location and finishings). The clips come pre-inserted in the aluminum profile and temporarily sealed on both sides of the profile.

Consumption of clip 100mm: +/- 25 pces/m² minimum for general cases. Excluding losses related to site conditions.

Consumption of clip 140mm: +/- 16 pces/m² minimum for general cases. Excluding losses related to site conditions.

Dimensions 100mm:

Clips alone: 16,2mm (height) / 110,60mm (total length)

Clips and board: 26,20mm (height)

Clips and joist: 53,33mm (ergos included)

Board to board with joint: 206,5mm (joint of 6,5mm)

Dimensions 140mm:

Clips alone: 16,2mm (height) / 150,60mm (total length)

Clips and board: 31,20mm (height)

Clips and joist: 53,33mm (ergos included)

Board to board with joint: 286,50mm (joint of 6,5mm)

Physical characteristics:

- **Rigidity:** High at the fixation lugs, flexible as a whole.
- **Durability:** High
- **Abrasion resistance:** High
- **Thermal resistance:** High
- **UV resistance:** High

3. Gosket EPDM

Materials: 130/65 (DIN 7836)

Color: Black

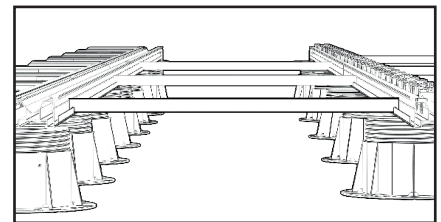
Fixation: inserted in a specific groove of the aluminum profile (factory fitted)



• **Accessories:**

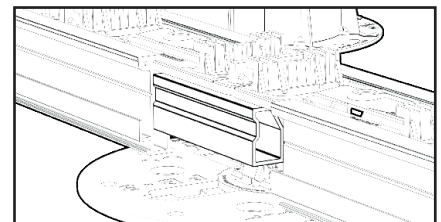
1. Spacers: *joist spacers*

- **Types:** 400mm, 462,5mm, 500mm
- **Materials:** aluminium EN AW6060 raw
- **Packaging:** in box of 20 pieces



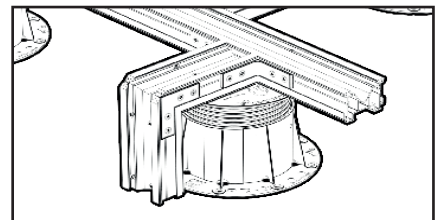
2. Intra-joist connectors: *connection for joists*

- **Material:** aluminium EN AW6060 raw
- **Packaging:** in box of 20 pieces



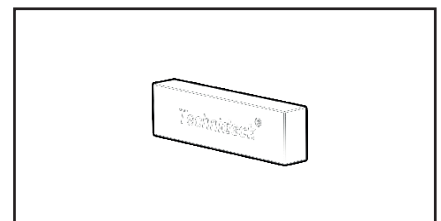
3. Brackets: *brackets for assembly and connections*

- **Types:** vertical, horizontal and for trim profile
- **Material:** aluminium EN AW6060 raw
- **Packaging:** in box of 50 pieces



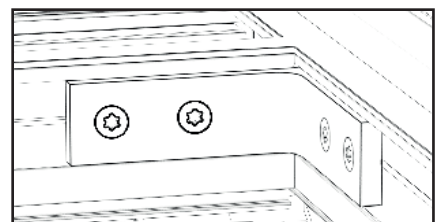
4. Spacers: *replacement and finishing ergos*

- **Material:** PA66
- **Packaging:** in box of 50 pieces



4.1 Screws: *self-drilling screws for assembly, clips and various accessories*

- **Types:** 4x22mm
- **Material:** Inox A2
- **Packaging:** in box of 200 pieces



N.B.: All the data mentioned on this technical sheet are theoretical and non-binding.